



SMALL AND POWERFUL

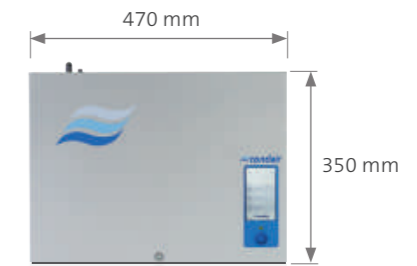
Compact steam humidifier
Condair **RM**



Humidification, dehumidification
and evaporative cooling

 **condair**

Resistance steam humidifier in compact size



Service-friendly design

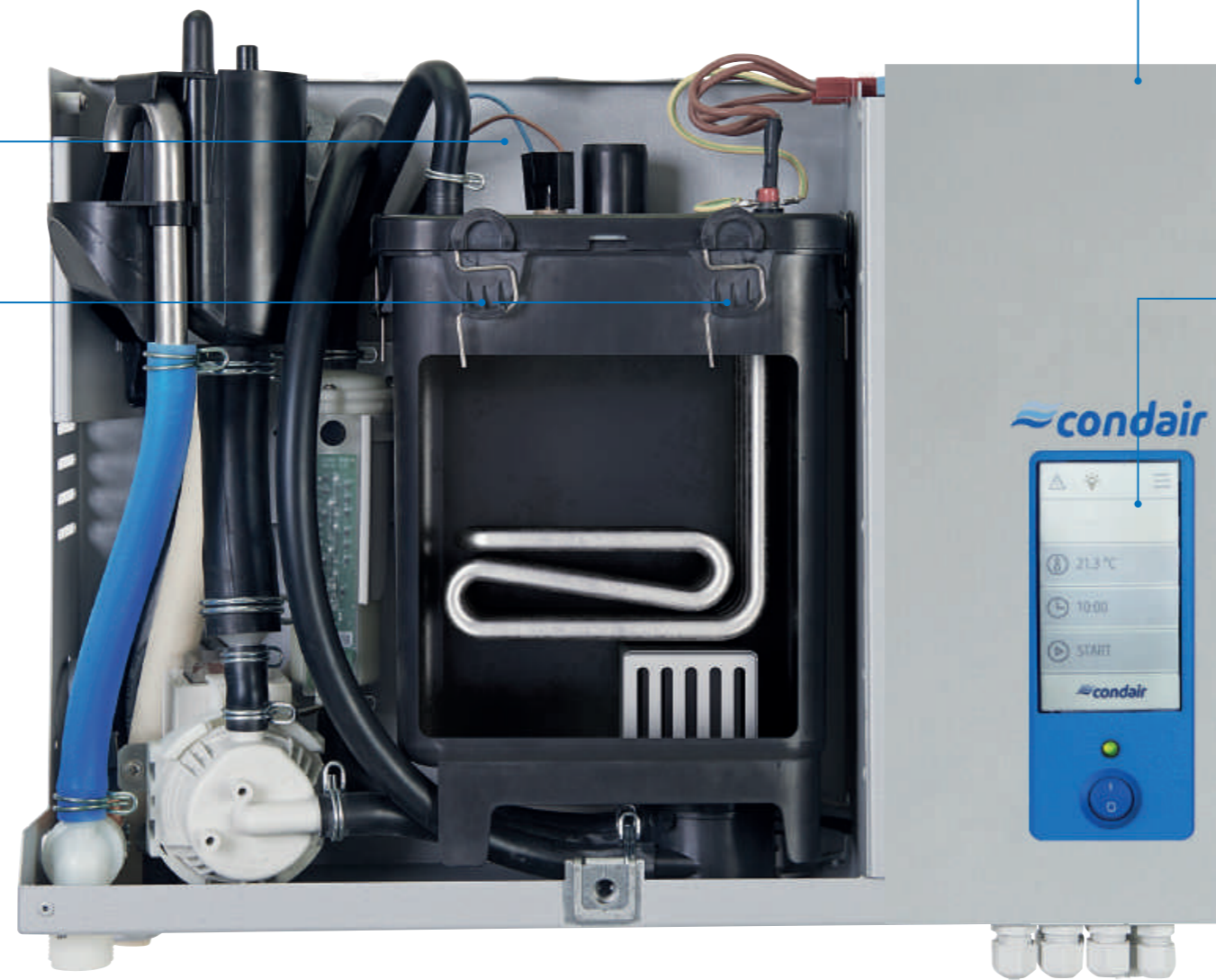
The design of the Condair RM allows all maintenance work to be carried out at the front. This means that even in situations where there is limited space or only front access, the system can be serviced.

Cleanable steam block

The steam block is equipped with ergonomic clamps that allow the steam block to be opened and cleaned in just a few easy steps.

Side connection and floor mounting

In the event that for structural reasons it is not possible to connect the steam humidifier via the bottom outlet, an optional mounting kit is available.



Compact dimensions

Thanks to its extremely compact dimensions, the Condair RM can also be used if there is limited space available or in systems where a humidification unit is to be retrofitted.

Touch Controller for precise control

The heating elements of the Condair RM are hybrid controlled. This type of regulation is characterized by a long life expectancy and operational reliability.

Perfect integration into Building Management Systems

Modbus®

Water treatment (optional)

In order to reduce the maintenance intervals and to generally prevent the formation of lime during steam generation, a water treatment unit can be used.



Standard version

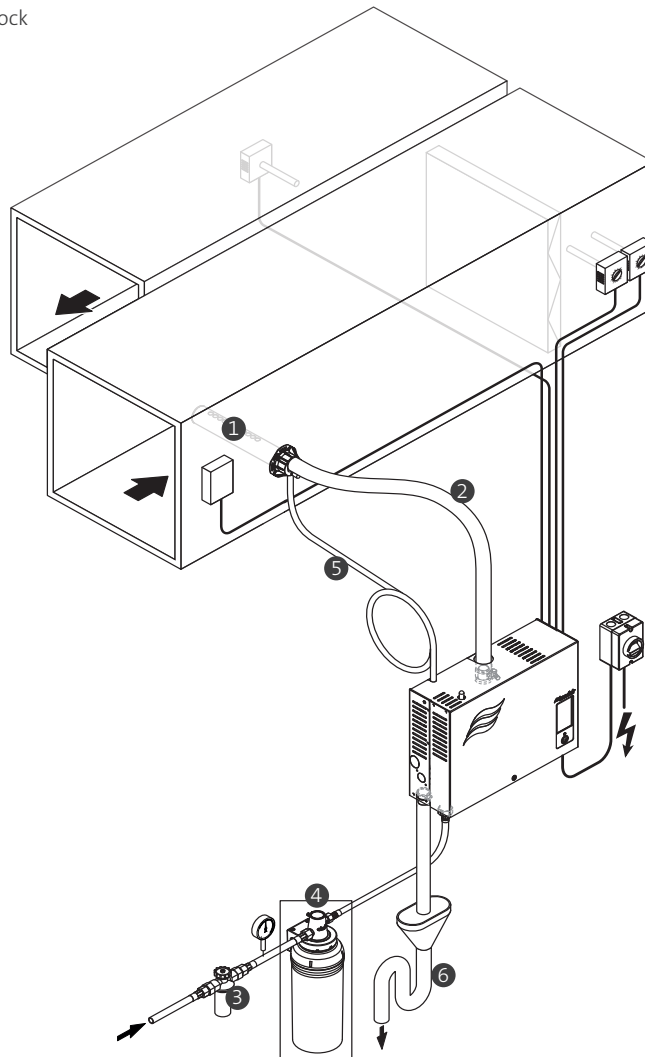
- Multilingual, user guided menu structure Program, service and information level
- Real-time clock and timer programming
- Various control signals (0–10 V, etc.)
- RS485 interface with Modbus protocol Terminal block
- Installation material (wall mounting)
- Fiber composite tank
- Blowdown pump

Accessories

- Steam distributor [1]
- Steam distribution hose [2]
- Mesh filter valve [3]
- Filter cartridge [4]
- Drain hose [5]
- Open funnel with water separator [6]

Options

- Remote touch display
- Floor mounting kit
- Filter cartridge
- Touch display



Technical Data

		RM 2	RM 4	RM 6	RM 8
230 VAC / 1 Ph / 50–60 Hz	kg/h	2.0	4.0	6.0	8.0
400 VAC / 3 Ph / 50–60 Hz	kg/h	-	-	6.0	8.0
PN Max	kW	2.0	3.5	5.0	6.5
Dimensions (W x H x D)	mm	470 x 350 x 150			
Operating weight	kg	12.9	12.9	12.9	12.9
Compliance		CE, VDE, DVGW			